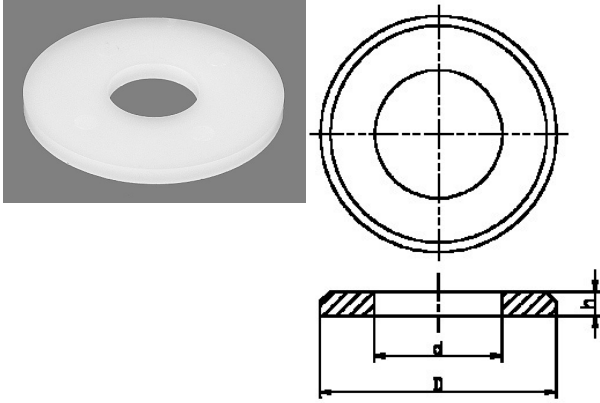


412002. SLUITRING PA DIN 9021

Vanaf M4 ook leverbaar in TPE of PA6 glasvezelversterkt



Artikelcode	M	D	d	h		
412002.002500000.004	M 2,5	8,0	2,7	0,8	naturel	PA
412002.002500660.004	M 2,5	8,0	2,7	0,8	naturel	PA 6.6
412002.003000000.000	M 3	9,0	3,2	0,8	zwart	PA
412002.003000000.004	M 3	9,0	3,2	0,8	naturel	PA
412002.003000660.004	M 3	9,0	3,2	0,8	naturel	PA 6.6
412002.003500000.004	M 3,5	11,0	3,7	0,8	naturel	PA
412002.004000000.004	M 4	12,0	4,3	1,0	naturel	PA
412002.004000660.004	M 4	12,0	4,3	1,0	naturel	PA 6.6
412002.005000000.000	M 5	15,0	5,3	1,2	naturel	PA
412002.005000000.004	M 5	15,0	5,3	1,2	naturel	PA
412002.005000660.004	M 5	15,0	5,3	1,2	naturel	PA 6.6
412002.006000000.004	M 6	18,0	6,4	1,5	naturel	PA
412002.006000660.004	M 6	18,0	6,4	1,5	naturel	PA 6.6
412002.007000000.004	M 7	22,0	7,4	2,0	naturel	PA
412002.008000000.000	M 8	24,0	8,4	2,0	zwart	PA
412002.008000000.004	M 8	24,0	8,4	2,0	naturel	PA
412002.008000660.004	M 8	24,0	8,4	2,0	naturel	PA 6.6
412002.010000000.000	M10	30,0	10,5	2,5	zwart	PA
412002.010000000.004	M10	30,0	10,5	2,5	naturel	PA
412002.010000660.004	M10	30,0	10,5	2,5	naturel	PA 6.6
412002.012000000.000	M12	37,0	13,0	3,0	zwart	PA
412002.012000000.004	M12	37,0	13,0	3,0	naturel	PA
412002.012000660.004	M12	37,0	13,0	3,0	naturel	PA 6.6
412002.014000000.004	M14	44,0	15,0	3,0	naturel	PA
412002.016000000.000	M16	50,0	17,0	3,0	zwart	PA

Artikelcode	M	D	d	h		
412002.016000000.004	M16	50,0	17,0	3,0	naturel	PA
412002.016000660.004	M16	50,0	17,0	3,0	naturel	PA 6.6
412002.018000000.004	M18	56,0	20,0	4,0	naturel	PA
412002.018000660.004	M18	56,0	20,0	4,0	naturel	PA 6.6
412002.020000000.004	M20	60,0	22,0	4,0	naturel	PA
412002.020000660.004	M20	60,0	22,0	4,0	naturel	PA 6.6